



Installation Guide

This guide provides the most important information for the MPT-1 and its installation.

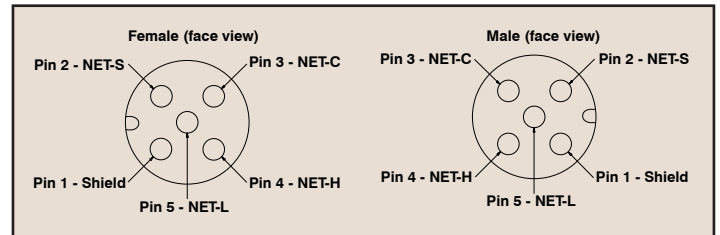
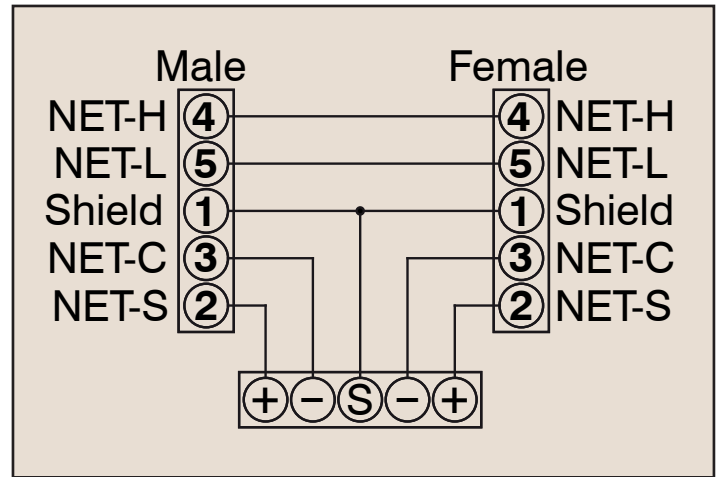
Actisense recommends users visit the MPT-1 product page, www.actisense.com/MPT-1, for the latest user manual, software and resources.

Installation Information

- The MPT-1 is designed to separately power two sections of an NMEA 2000 bus for maximum device loading.
- The MPT-1 Ground wires should be connected together at the power source - if a different power source is used for each side of the bus, the two grounds must be connected together.
- The NMEA 2000 bus shield should only be grounded at a single location. This needs to be the RF system ground if available or at the main -ve supply feed location if not.
- Only one power source should be used with a standard NMEA 2000 network. If additional power entry points are needed, isolated supplies with suitable reverse current protection must be used. The MPT-1 is not suitable for this type of installation.
- Each Power wire must have an in-line fuse fitted - maximum 3A.
- The MPT-1 should be connected to an NMEA 2000 Micro cable backbone. Smaller cable or lower current rated cable should have the correct in-line fuses fitted.

Connections

Name	Connector	Colour
Power	Male	Solid Red
Ground	Male	Solid Black
Shield	Male & Female	Bare
Power	Female	Red/White Stripe
Ground	Female	Black/White Stripe



Guarantee and Returns Procedure

Actisense prides itself on having a very low returns rate, giving every product a 3 year guarantee.

In the unlikely event that you need to return your MPT-1 for repair, contact Actisense Tech Support at support@actisense.com for an RMA number. To qualify for an RMA number you will need to provide the serial number, date of purchase and where you purchased the unit from.

Any units returned without an RMA number will incur a delay in processing and may result in a charge.

Product Registration

Please register your product at www.actisense.com/ProductRegistration.

Company Information

Active Research Limited

5, Wessex Trade Centre
Ringwood Road
Poole, Dorset
UK, BH12 3PF

Telephone: +44 (0) 1202 746682

E-mail: support@actisense.com

Website: www.actisense.com

Twitter: www.twitter.com/ActisenseTech
(Actisense Product Updates)